



使用手册 User manual

欢迎

欢迎来到飞利浦世界！您能选择和购买飞利浦的产品，我们非常高兴。您可以在我们的官方网站上获得飞利浦公司的全方位技术支持，如：使用手册、软件下载、保修信息等。
www.philips.com/support

产品特点

本产品采用精密的光学结构设计，专业的音频处理技术及先进的机械设计，具有拍摄拾音一体化，声音定位，云台旋转等特性，图像摄录更加真实自然，声音拾取更加清晰准确，适用于视频会议，远程教学，网络直播等领域，产品特点如下：

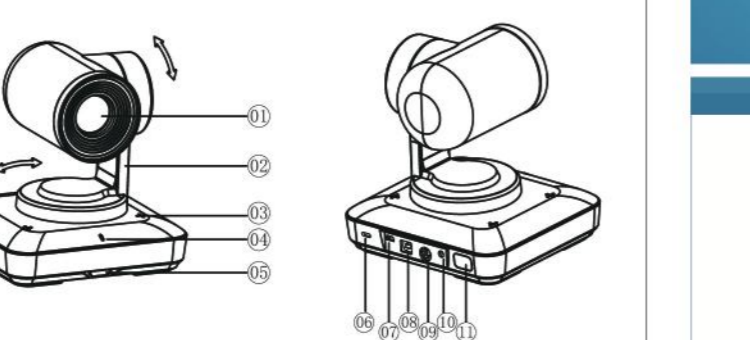
- 采用全高清玻璃镜头，有效像素达500万(2K)及以上。
- 采用10倍光学变焦镜头，图像拍摄细致入微。
- 1/2.8英寸优质CMOS传感器。
- 图像清晰，画面细腻流畅，分辨率达2K/30fps。
- 采用专业的色彩处理技术和光学性能，展现完美逼真的图像。
- 采用大光圈镜头，自如地应对弱光下的拍摄。
- 支持声音自动定位，准确捕捉有效声音，保证发言人时刻出现在画面中，拾音距离可达6米。
- 支持大角度智能云台旋转，采用静音马达，确保镜头旋转时没有一丝声响。
- 支持遥控器，通过遥控器远程控制开关机，焦距调节，镜头旋转，静音等功能。
- 采用专业的音频处理技术，屏蔽环境噪音和回声影响，使通话更加清晰自然。
- 支持免驱设计，USB即插即用。

您的设备

设备包含



主机预览



- ① 摄像头
- ② 外壳
- ③ 麦克风
- ④ 指示灯
- ⑤ 红外接收头01
- ⑥ 锁孔
- ⑦ 麦克风阵列扩充口
- ⑧ USB插座
- ⑨ RS-232插座
- ⑩ 电源插座
- ⑪ 红外接收头02

PC端软件

获取飞利浦PC端视讯软件请登录并下载路径：
download.szgps.net/SmartMeeting/SmartMeeting.exe



登录界面
输入正确的产品序列号，点击登录即可使用此软件。



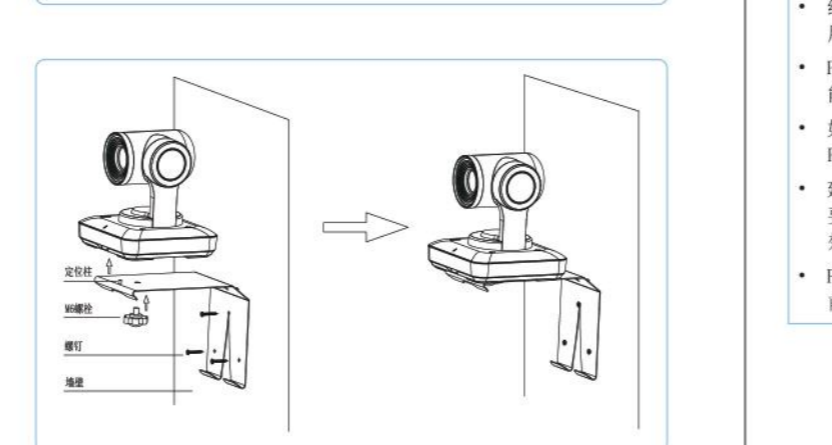
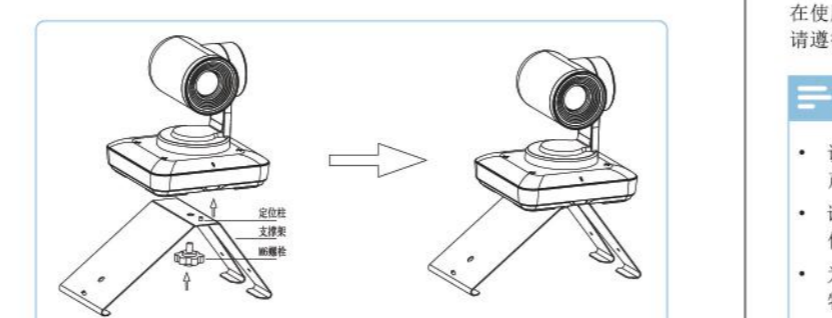
主界面
创建会议，加入会议，联系人。



实时翻译
支持多国语言实时字幕+翻译。

安装指南

设备支持通过M6螺栓安装支架，根据所需情况，可固定在桌子上或墙上。



重要须知

安全信息

在使用和操作设备前，为确保设备性能最佳，并避免出现危险或非法情况，请遵循各项电气安全规定和适用的法律。

注意

- 设备在工作时，请不要用手去拨动镜头或者转盘，否则会导致设备的智能声源定位功能失效。
- 请不要用手或者其他物品接触摄像头的镜头玻璃表面，可能会弄脏或者损伤镜头，影响摄像头的成像效果。
- 为了确保设备的使用效果，请不要遮挡麦克风，或者把设备放置在周围有物品遮挡的位置，否则将影响智能声源定位的使用效果。
- 红外遥控接收窗口，不能被物品遮挡，否则可能导致遥控器无法正常使用。
- PSE0600只能支持外扩一个PSE0400，并且PSE0400不会起到声源定位的功能，只有会议拾音功能。
- 如果电脑中外接设备比较多，需要在系统声音设置中，把输入设备设置成PSE0600，输出设备设置成系统扬声器或者其他喇叭设备。
- 建议使用Windows 7/Android 7.1及以上版本系统，较低版本系统可能需要安装USB万能驱动，同时兼容性可能会比较差，从而影响PSE0600的使用效果。
- PSE0600最多可以预设5个位置，短按遥控器上的数字键，摄像头会转到之前设置的指定位置。

使用说明

智能声源定位

此功能默认打开，白色指示灯亮。短按遥控器的 **📺** 键，可以打开或者关闭智能声源定位功能。智能声源定位功能打开时，亮蓝灯或者绿灯；智能声源定位功能关闭时，白色指示灯亮。

360度模式

处在此功能时，蓝色指示灯亮，当检查到有3秒以上的连续声音，摄像头将智能旋转，将镜头对准声音位置，智能捕捉会议过程中发言者的精彩画面。

视频会议模式（180度模式）

长按遥控器上的 **📺** 键，可以切换360度和视频会议模式，当蓝灯亮，表示处在360度模式；当绿灯亮时，表示处在视频会议模式。

复位

如果摄像头在正常使用过程中，被外力改变位置后，需长按遥控器的 **📺** 键进行复位，摄像头将会自动复原云台。

镜头位置预设功能：

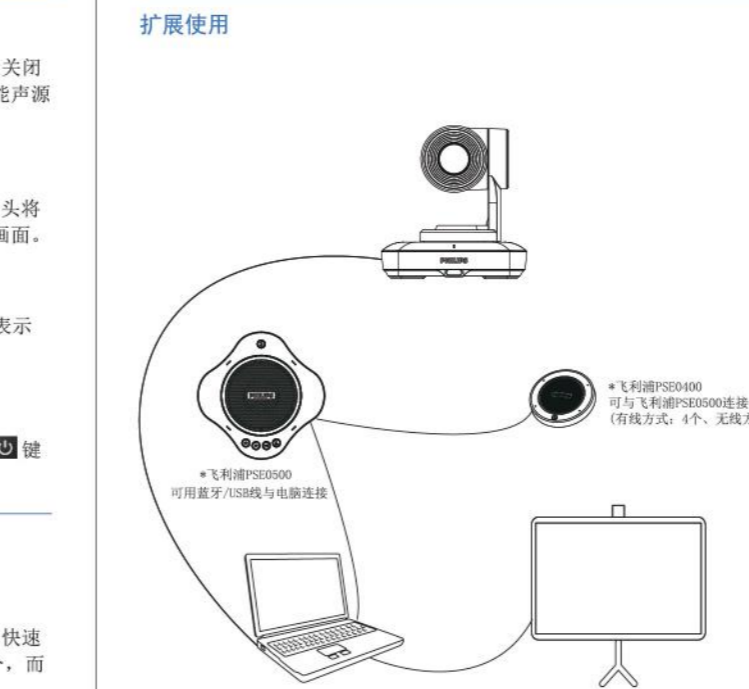
设置

把摄像头调到指定位置，短按遥控器的 **📺** 键，此时指示灯快速闪烁，快速按下希望储存的数字键，5个之一 **1-5**，每次设置其中一个，而且只保存最后那次的设置。

使用

短按遥控器上的数字键，摄像头会自动转到之前设置的指定位置。
注：最多可以预设5个位置。

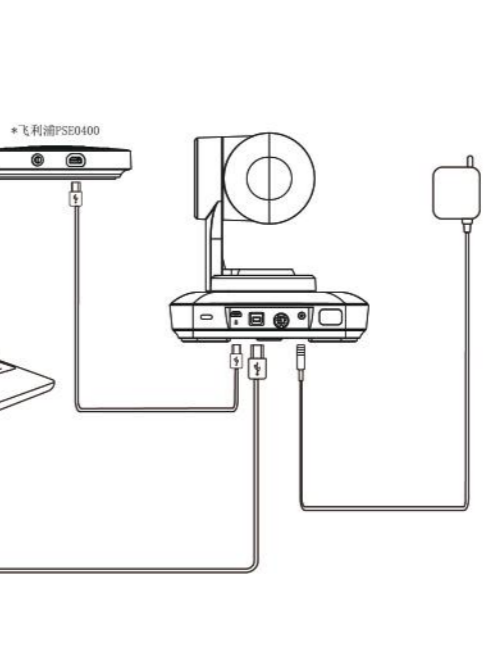
扩展使用



温馨提示

了解更多信息操作，请访问：

<http://www.jwd-dvr.com/philips/guanyuwomen/jishuyushouhou/>



Service Service

Service GUARANTEE

This guarantee card is valid in china
This guarantee card should be retained by The USER
此保用卡在中国适用，用户请保留此卡。

此产品是一件设计精良，有高品质原件制造之数码产品，在正确使用及保养下应能正确地表现其优越性能。
自购买日期始，整机保修一年。关于主要部件保修期限，按照国家消费法规定执行。多功能视讯设备中国区总经销（深圳市京华数码科技有限公司）将按下列保用条款持卡用户提供免费维修服务。

保用条例：

保用服务只限于一般正常使用下有效。一切人为损坏，例如接入不当电源，使用不当及配件，不依说明书使用，因运输及其他意外而造成之损坏，非经本公司认可之维修和改装，用于商业及工业目的造成产品损坏，错误使用或疏忽而造成损坏，不当之安装或因天灾造成损坏等，保用服务立刻失效。此保用服务并不包括附件，辅助装置，运输费。维修时请带上此卡及正本发票。

User's Name: _____
 用户姓名
 Address: _____
 地址
 Tel.No: _____
 电话
 Post Code: _____
 邮编

Company Seal: _____
 购买商品印章
 Date of Purchase: _____ Invoice No: _____
 购买日期 发票号

产品服务热线：400 800 7890



Specifications subject to change without notice.
Trade marks are the property of Royal Philips or their respective owners.
© 2021 Speech Processing Solutions GmbH.All rights reserved. Philips and the Philips' shield emblem are registered trademarks of Koninklijke Philips N.V. and are used by Speech Processing Solutions GmbH under license from Koninklijke Philips N.V. All trademarks are the property of their respective owners.
Document version 1.1, 2021-01-26



使用手册 User manual

Welcome

Welcome to the world of Philips! We are delighted that you choose and buy Philips products. You can have access to full set of technical support on Philips official website, such as user manuals, software downloads, and guarantee information etc.
www.philips.com

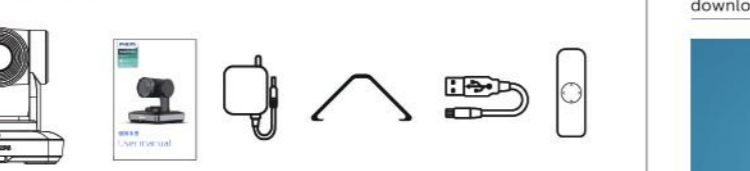
Product features

This product adopts sophisticated optical structure design, professional audio processing technology and advanced mechanical design, with the characteristics including the integration of shooting and sound pickup, sound positioning, and cradle head rotation. The shooting image is more authentic and natural, and the sound pickup is clearer and more accurate. It is suitable for video conferencing, distance learning, live-streaming and other scenarios. The product features are as follows:

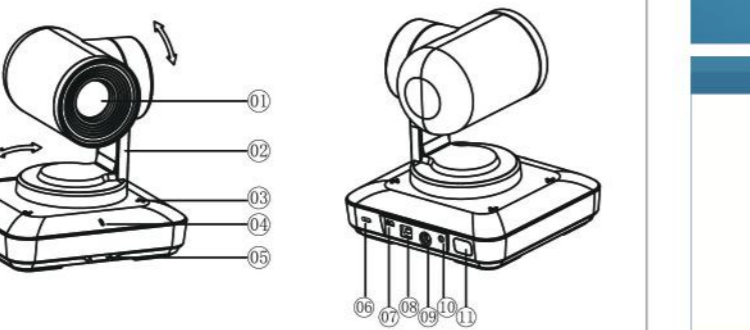
- A full HD glass lens with effective pixels over 5 million (2K).
- Exquisite shooting image under a 10x optical zoom lens.
- 1/2.8-inch high-quality CMOS sensor.
- Clear image and fine and smooth playing with the resolution up to 2K/30fps.
- Perfect and lifelike images presented by the professional color processing technology and optical performance.
- Well handling of shooting in dim light with large-aperture lens.
- Automatic sound positioning to accurately capture effective voices and keep the speaker always in the screen, with the max. pickup distance of 6m.
- Smart cradle head with wide-angle rotating function equipped with silent motor to ensure that there is no noise when the lens rotates.
- Remote control enabling remote on/off, focal distance adjustment, lens rotation, mute and other functions.
- Shield against the impact of environmental noise and echo via the professional audio processing technology to make the communication clearer and more natural.
- Drive-free design with plug-and-play USB interface.

Your Device

What's in the box



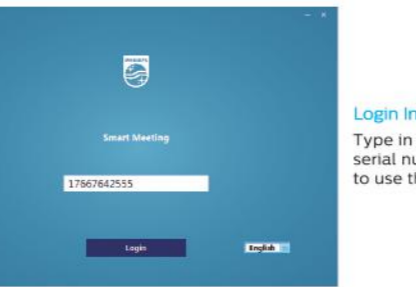
Overview



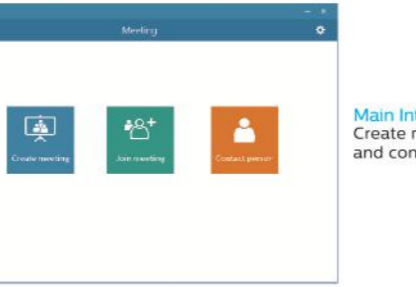
- 01 Camera
- 02 Housing
- 03 Microphone
- 04 Indicator lamp
- 05 Infrared receiver 01
- 06 Lock hole
- 07 Microphone array port
- 08 USB socket
- 09 RS-232 socket
- 10 Power socket
- 11 Infrared receiver 02

PC Software

To get the Philips PC video software, please log in and download at: download.szggs.net/SmartMeeting/SmartMeeting.exe



Login Interface
Type in the correct product serial number and click "Login" to use this software.



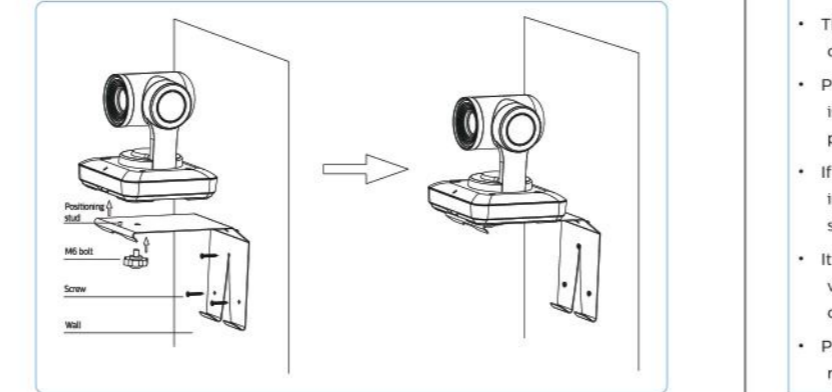
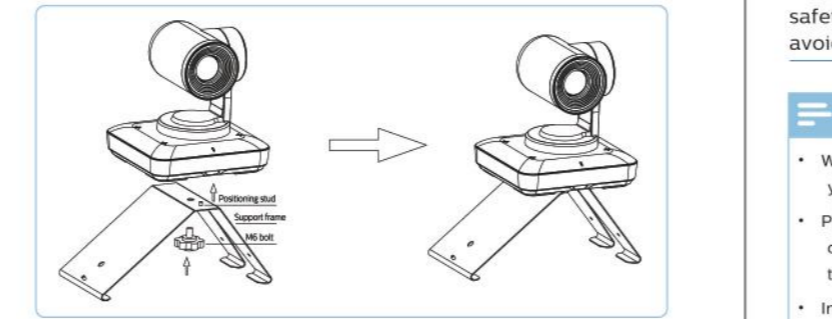
Main Interface
Create meeting, join meeting and contact person.



Real-time Translation
Support real-time subtitles + translation in several languages.

Installation Instructions

The equipment could be installed on the bracket with M6 bolts or fixed on the table or attached to the wall depending on your requirements.



Important Notice

Safety

Before using and operating the device, please check and follow all safety information to ensure that the device performs best and avoids hazardous or illegal situations.

Notice

- When the device is working, please do not move the lens or turntable with your hands, in case of failures of the smart sound source positioning function.
- Please do not touch the glass surface of camera lens with your hands or other objects, to avoid stains or damages to the lens and affect the imaging effect of the camera.
- In order to ensure the performance of the equipment, please do not block the microphone, or place the equipment in between barriers; otherwise, it will affect the performance of smart sound source positioning.
- The infrared remote-control receiving window should not be blocked by objects; otherwise, the remote control may not work normally.
- PSE0600 can support only one PSE0400 as an external device, and PSE0400 is equipped with the function of conference sound pickup only without source positioning.
- If many external devices are connected to the computer, set PSE0600 as the input device in the sound setting panel in the system, and set the system speaker or other speaker devices as the output device.
- It is recommended to use Windows 7/Android 7.1 operating system or later versions. Prior versions may require an universal USB driver, and the compatibility may be worse, which will affect the performance of PSE0600.
- PSE0600 can preset up to 5 positions; short press the number button on the remote control, the camera will turn to the pre-set positions.

Operation Instructions

Smart sound source positioning

This function is started by default, and the white indicator remains on. This function can be turned on or off by pressing the **PS** key on the remote controller; when this function is on, the blue or green indicator will flash, while the function is off, the white indicator will flash.

360° mode

When the function is on, the blue indicator light will be on. When a continuous sound of more than 3 seconds is detected, the camera will rotate automatically to aim the camera at the sound direction and capture the wonderful pictures of speakers.

Video conference mode (180° mode)

Long press the **PS** key to switch between 360° mode and video conference mode (180° mode). When the blue light is on, it means that it is in 360° mode; when the green light is on, it means that it is in video conference mode.

Reset

If the camera is shifted by an external force during normal operation, hold down **PS** key on the remote controller to reset it, and the camera will check the cradle head automatically.

Preset function: Setting

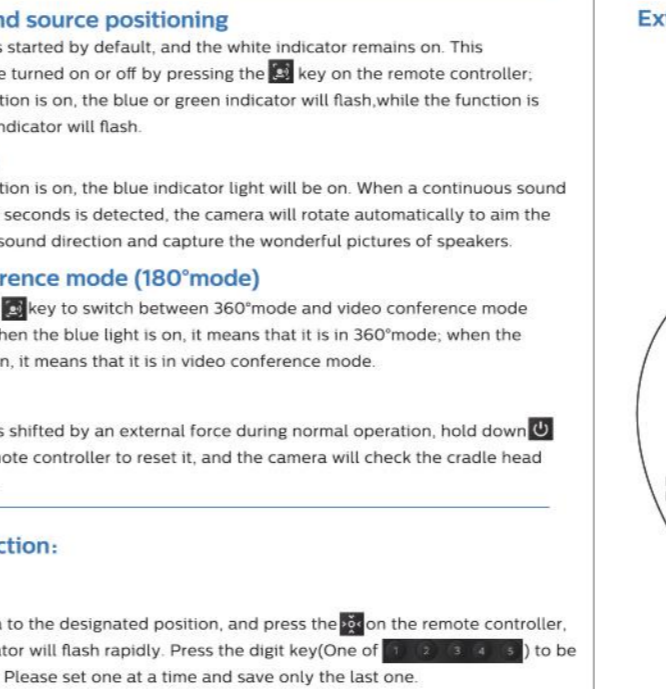
Set the camera to the designated position, and press the **PS** on the remote controller, then the indicator will flash rapidly. Press the digit key (One of **1 2 3 4 5**) to be stored quickly. Please set one at a time and save only the last one.

Use

Press the digit key on the remote controller, and the camera will rotate to the preset position.

Note: Up to five positions can be preset.

Extended use



Reminder

- To know more about operations, please visit: <http://www.jwd-dvr.com/philips/guanyuwomen/jishuyushouhou/>

Service Service

Service GUARANTEE

This guarantee card is valid in china. This guarantee card should be borne by the USER. 此保用卡在中国适用, 用户请保留此卡。

This product is made of high quality material and great care has been taken in its manufacture. It is designed to give good performance provided it is properly operated and maintained. The product is sold subject to the understanding that if any defect in manufacture or material shall appear within 12 months, the warranty period is subject to country Consumer Law, Jingwah Digital Service will arrange for such defect to be rectified without change under the following warranty items and conditions.

Warranty Terms and Conditions:

The defect is not due to use of the product for other than domestic purposes, or an incorrect voltage, or use of improper accessories, or contrary to operating instructions, or to accidental damage (whether in transit or otherwise), misuse, neglect or inexact repair, or incorrect installation, or the product is excessively used for improper purposes other than daily consumption, or accessories belonging to the product, transportation. Present this warranty card and sales invoice when demanding service from Philips authorized service centres.

User's Name: _____ Model No: _____
 用户姓名: _____ 型号: _____
 Address: _____ Serial No: _____
 地址: _____ 机身编号: _____
 Tel.No: _____ Product Place: _____
 电话: _____ 产地: _____
 Post Code: _____
 邮编: _____

Company Seal: _____ Shop name and address: _____
 购买商品印章: _____ 购买商名称及地址: _____
 Date of Purchase: _____ Invoice No: _____
 购买日期: _____ 发票号: _____
 电话/邮编: _____

Product Service Hotline: 400 800 7890

Specifications

Model	PSE0600
Resolution	2K/30fps
Zoom	10x
Microphone	Array
Control	Remote control
Power	5V/1A
Dimensions	110x110x110mm
Weight	1.2kg
Operating Temperature	0°C to 40°C
Storage Temperature	-10°C to 50°C
Humidity	10% to 90%
Viewing Angle	90°
Field of View	65°
Focus	Auto
White Balance	Auto
Exposure	Auto
Shutter Speed	Auto
ISO	Auto
White Balance	Auto
Exposure	Auto
Shutter Speed	Auto
ISO	Auto

Trade Marks

Trade marks are the property of Royal Philips or their respective owners. © 2021 Speech Processing Solutions GmbH. All rights reserved. Philips and the Philips' shield emblem are registered trademarks of Koninklijke Philips N.V. and are used by Speech Processing Solutions GmbH under license from Koninklijke Philips N.V. All trademarks are the property of their respective owners. Document version 1.1, 2021-01-26

