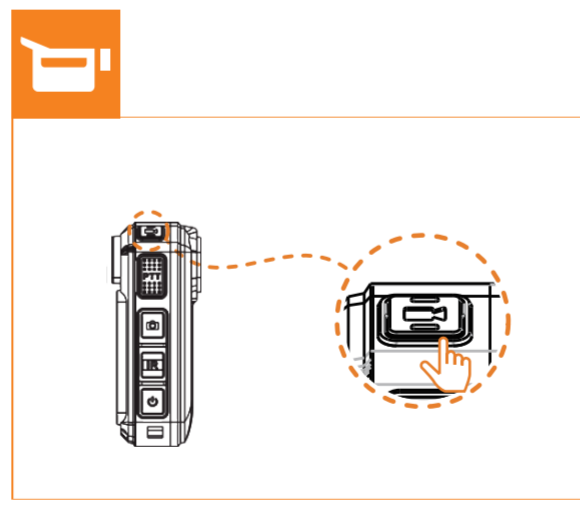
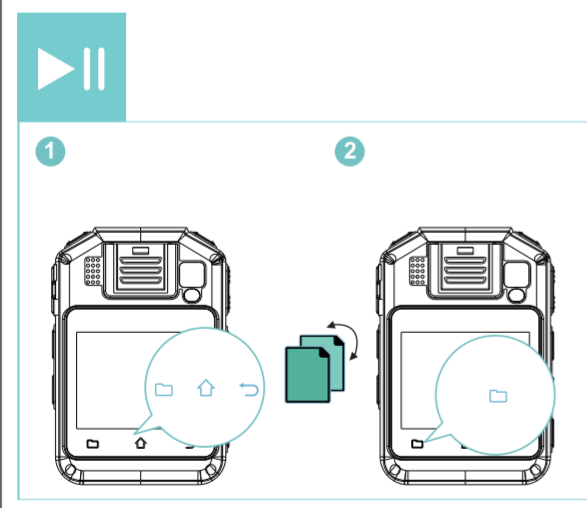
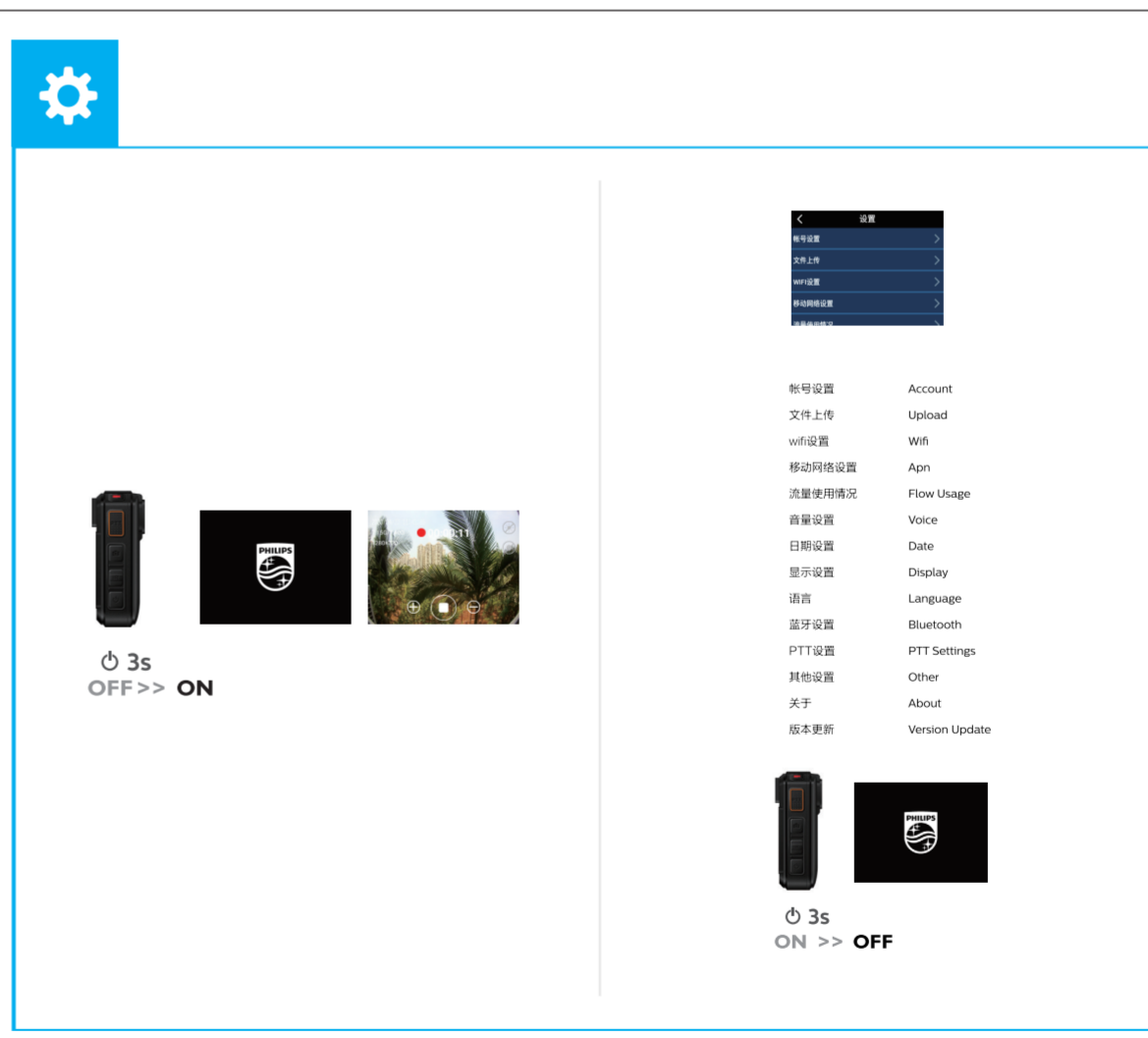
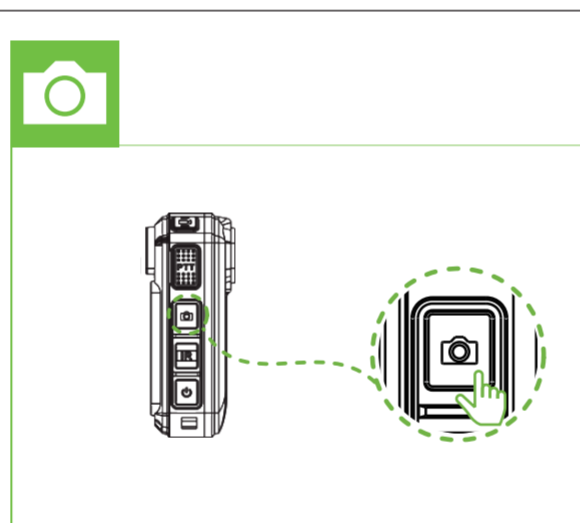
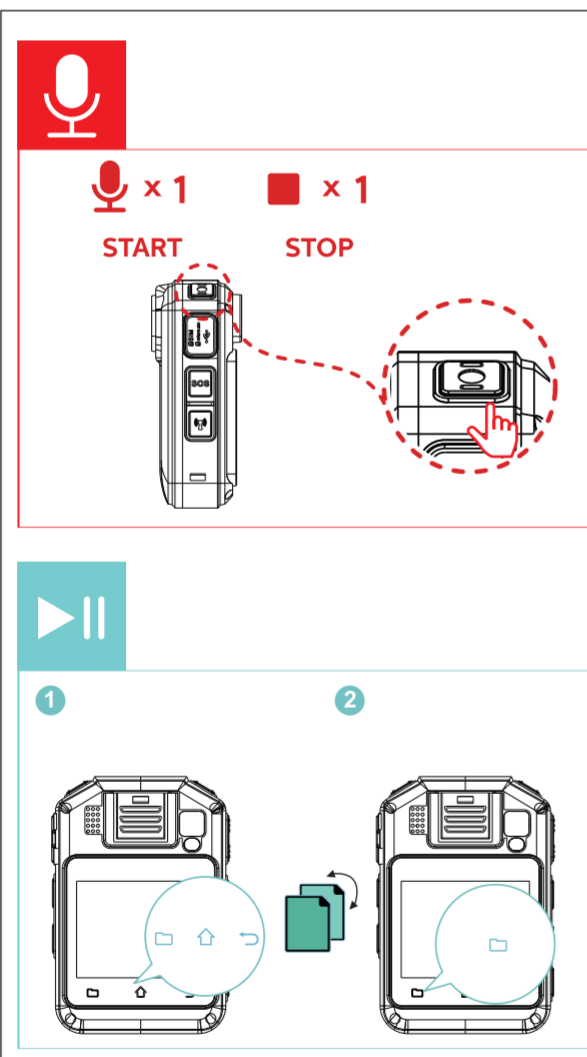
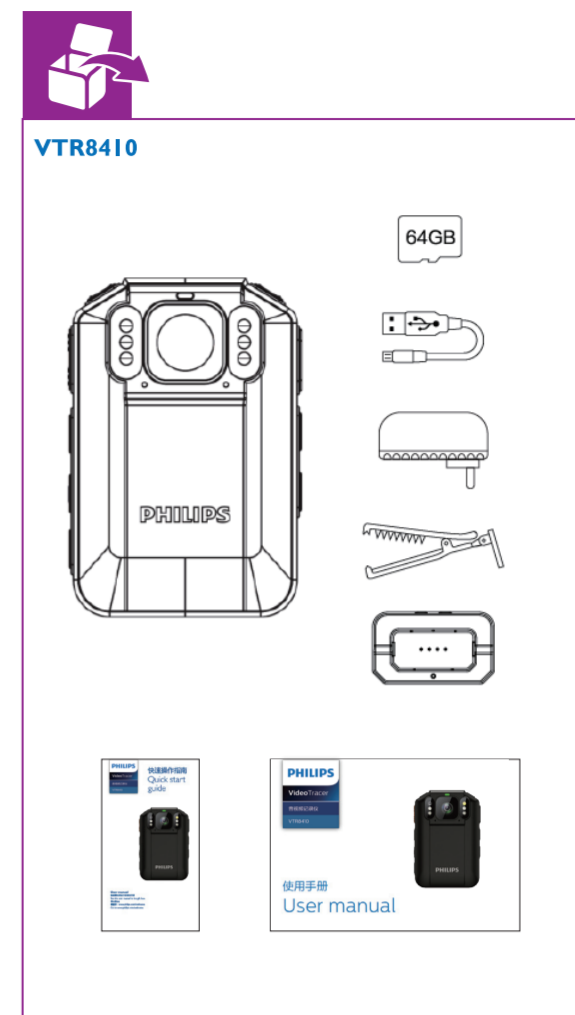


Specifications subject to change without notice.
 Trade marks are the property of Royal Philips or their respective owners.
 © 2021 Speech Processing Solutions GmbH. All rights reserved. Philips and the Philips' shield emblem are registered trademarks of Koninklijke Philips N.V. and are used by Speech Processing Solutions GmbH under license from Koninklijke Philips N.V. All trademarks are the property of their respective owners.
 Document version 1.0.2021-03-09

PHILIPS
VideoTracer
 音视频记录仪
 VTR8410

快速操作指南
 Quick start guide



物料名:	VTR8410 快速指南	设计者、日期:	2021.03.09
规格描述:	尺寸: 320X140mm(4折页正反面) 材质: 128g铜版纸		
印刷颜色:	CMYK	签样要求:	<input type="checkbox"/> 无需签样 <input checked="" type="checkbox"/> 需签样
品质要求:	<input type="checkbox"/> 公司标准 <input checked="" type="checkbox"/> PHILIPS标准 <input type="checkbox"/> Best Buy标准 <input type="checkbox"/> 其它标准		

公差:

- 1. 说明书、保修卡、快速指引尺寸公差: ±1mm
- 2. 贴纸类尺寸公差: ±0.3mm
- 3. 机身贴纸类(包括贴于凹槽内)尺寸公差: ±0.3mm
- 4. 彩盒尺寸公差: ±0.1mm
- 5. 彩卡(纸内衬)尺寸公差: ±0.3mm
- 6. 吸塑类外径尺寸公差: ±0.5mm
- 7. 珍珠棉内衬: ±2mm
- 8. 袋类(PE袋、珍珠棉袋、便携/绒布袋)尺寸公差: ±5mm
- 9. 纸品类(外箱、内箱)尺寸公差: ±0.3mm
- 10. 平卡、刀卡、PDQ 尺寸公差: ±1mm
- 11. 吊绳类尺寸公差: ±1mm